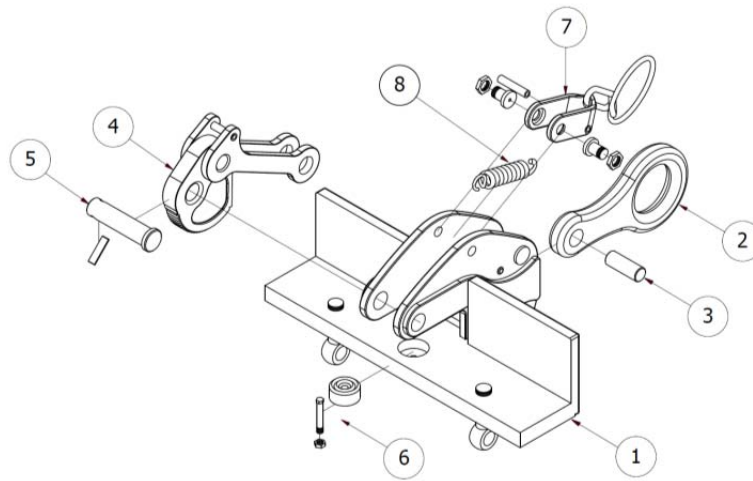


NVC-HW

- Setting Clamp -



NO.	ASSEMBLY NAME	PART NUMBER	NO.	ASSEMBLY NAME	PART NUMBER
1	body	NC521-1	5	cam pin	NC521-5
2	shackle	NC521-2	6	jaw ass'y	NC521-6
3	shackle pin	NC521-3	7	latch ass'y	NC521-7
4	cam ass'y	NC521-4	8	lock spring	NC521-8