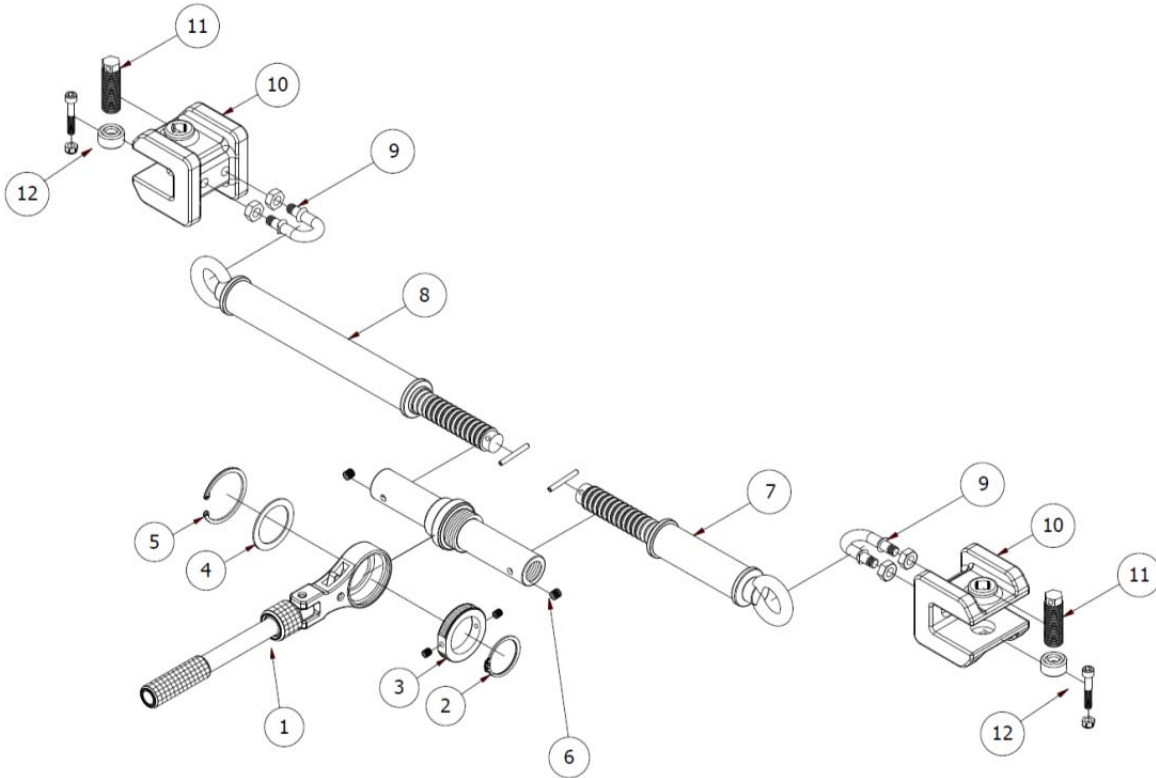


## NRC-R

- Support Clamp -



NO.	ASSEMBLY NAME	TONNAGE RATING	PART NUMBER	NO.	ASSEMBLY NAME	TONNAGE RATING	PART NUMBER
1	Handle Ass'y	3	NC1153-1	7	S-screw	3	NC1153-7
2	Snap Ring (out)	3	NC1153-2	8	L-screw	3	NC1153-8
3	Lock Nut	3	NC1153-3	9	U-Bolt Ass'y	3	NC1153-9
4	Washer	3	NC1153-4	10	Body	3	NC1153-10
5	Snap Ring (in)	3	NC1153-5	11	Screw Bolt	3	NC1153-11
6	Pipe Ass'y	3	NC1153-6	12	Jaw Ass'y	3	NC1153-12