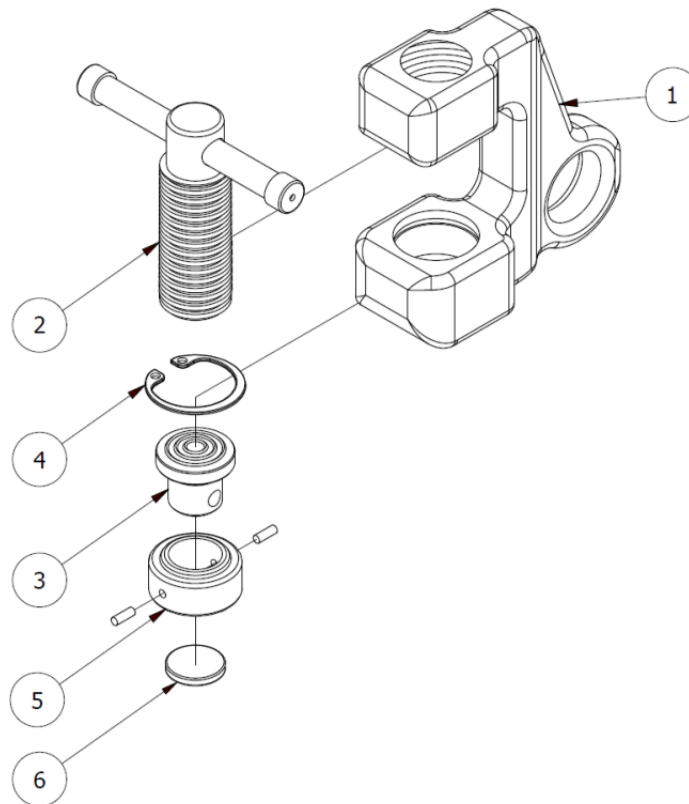


NPC-SB

- Safety Belt Clamp -



NO.	ASSEMBLY NAME	TONNAGE RATING	PART NUMBER	NO.	ASSEMBLY NAME	TONNAGE RATING	PART NUMBER
1	Body	.2	NC70.2-1	4	Snap Ring	.2	NC70.2-4
2	Screw Ass'y	.2	NC70.2-2	5	Bearing Ass'y	.2	NC70.2-5
3	Swivel Jaw	.2	NC70.2-3	6	End Plate	.2	NC70.2-6